

SUBMITTAL TO THE BOARD OF SUPERVISORS
COUNTY OF RIVERSIDE, STATE OF CALIFORNIA

303B



FROM: TLMA – Transportation Dept.

SUBMITTAL DATE: April 7, 2003

SUBJECT: TRACT 28680-2

A Schedule "A" Subdivision in the Mira Loma Area
**ONE YEAR GUARANTEE AND MAINTENANCE
AGREEMENTS**

RECOMMENDED MOTION: That the Board approve the attached One Year
Guarantee and Maintenance Agreements as approved by County Counsel and
authorize the Chairman to sign these agreements for Tract 28680-2.

BACKGROUND: Improvements have been completed or are approaching completion on
this project. The developer desires to enter into Maintenance Agreements to guarantee
a one year maintenance of the improvements and has submitted agreements and
securities which have been approved by County Counsel.

REVIEWED BY EXECUTIVE OFFICE
J. J. [Signature]
DATE 4/2/03

HS:lf

Submittals: Vicinity Map
Road/Drainage Maintenance Agrmts
Water System Maintenance Agrmts
Sewer System Maintenance Agrmts

George A. Johnson
George A. Johnson
Director of Transportation

Policy

Consent

Department Recommendation:
Per Executive Office:

Prev. Agn. Ref. 03/21/00 - 2.8

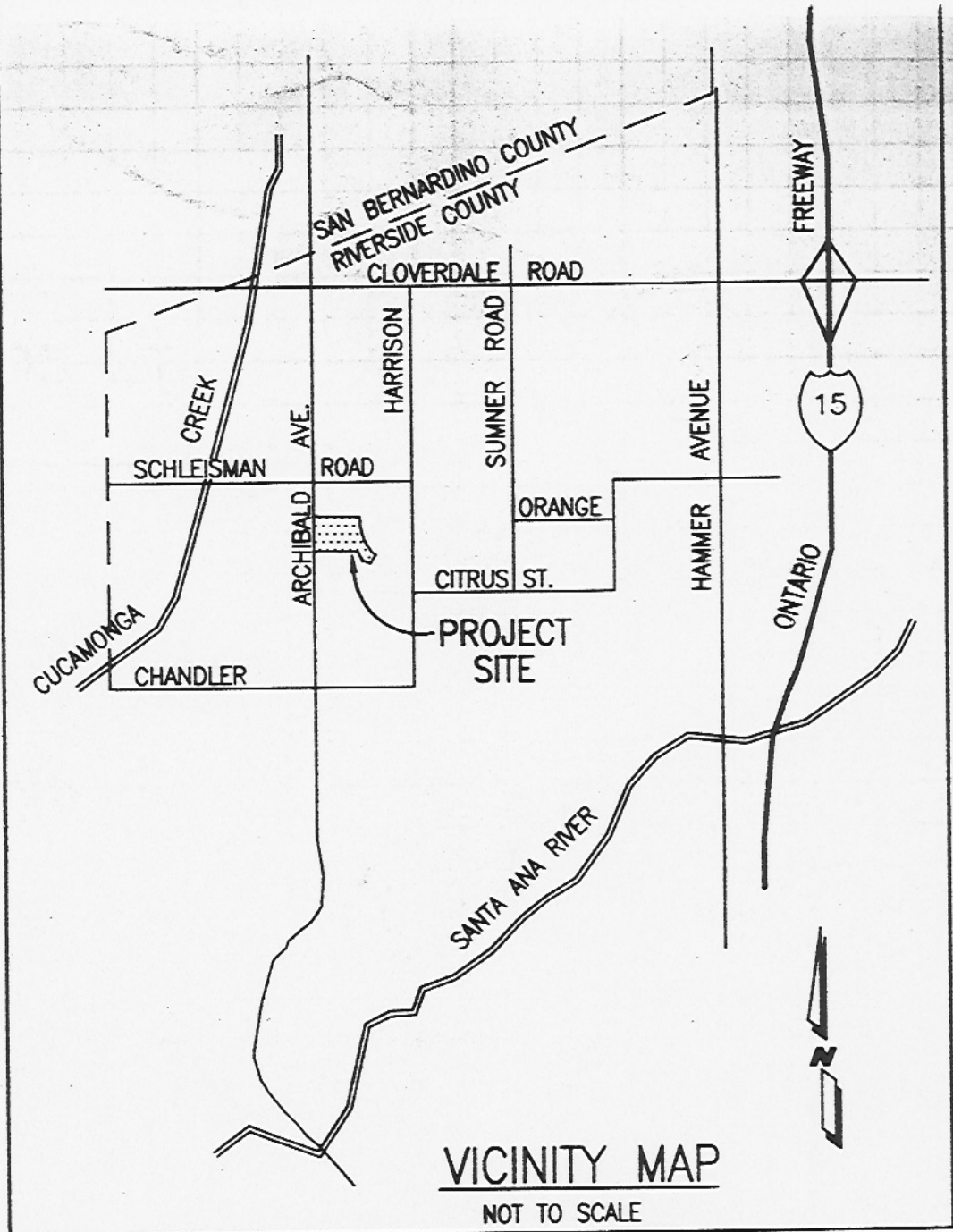
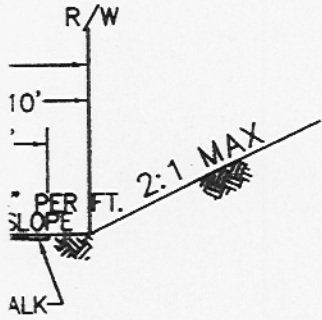
Dist. 2

AGENDA NO.

(1998 EDITION)

BALD AVE.
ATED PORTION OF
COUNTY.

OF THE EASTVALE
AN 300



VICINITY MAP

NOT TO SCALE

SECTION 35 T2S R7W